

# 8mm X 485mm LED LIGHT BAR

## FEATURES

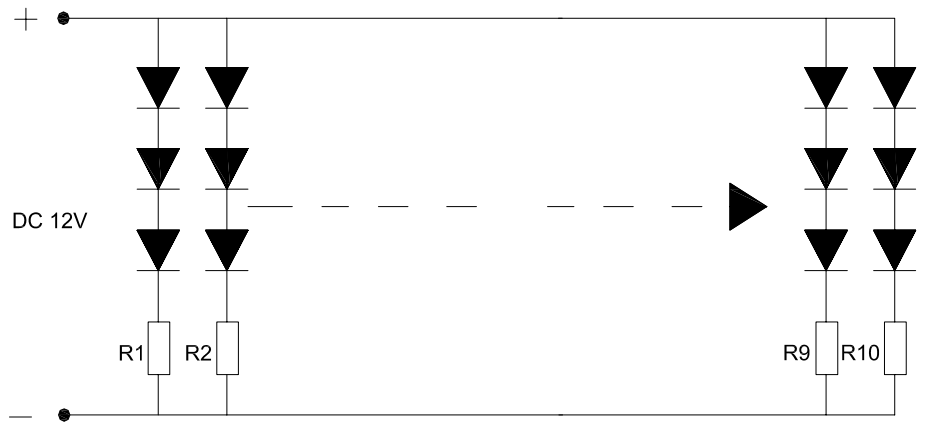
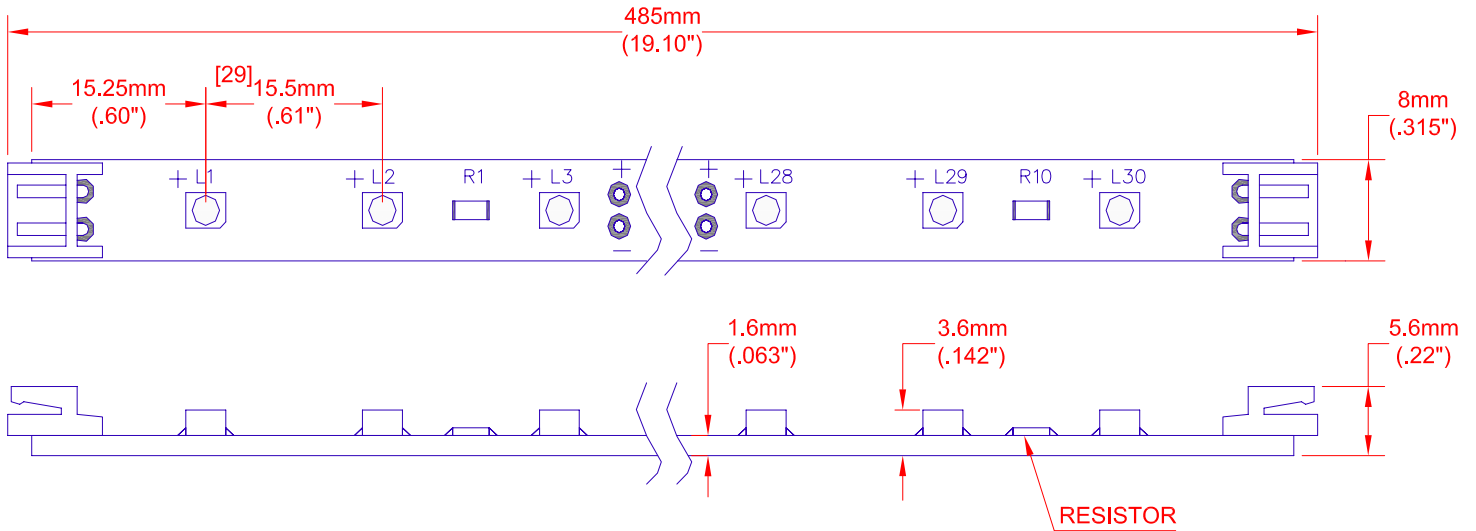
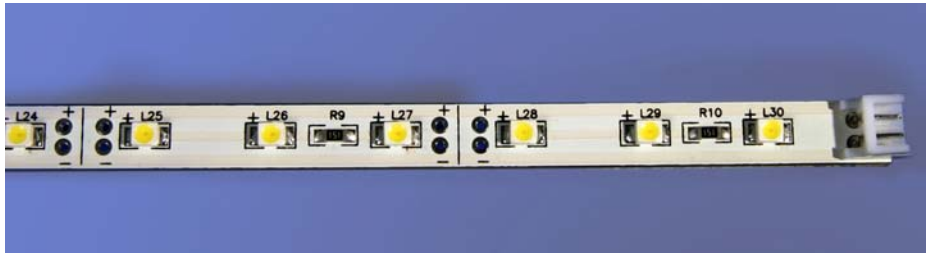
WORKING VOLTAGE: 12V DC.

WORKING CURRENT: 200mA.

LED VIEW ANGLE (2  $\theta$  1/2): 120°.

PACKAGE: 1 PCS/PVC TUBE.

PRINTED CIRCUIT BOARD THICKNESS: 1.6mm



### ATTENTION



OBSERVE PRECAUTION FOR HANDLING ELECTROSTATIC DISCHARGE SENSITIVE DEVICES

**JKL PART NO.: ZRS-8485-WW**

 METRIC THIRD ANGLE PROJECTION	DIMENSIONS ARE IN mm (INCHES) TOLERANCE UNLESS OTHERWISE SPECIFIED 1 PL +/- 1 2 PL +/- ANGLE +/-	 JKL COMPONENTS CORPORATION			
	TITLE 8mm X 485mm WARM WHITE LED LIGHT BAR				
DRAWN BY L. WENGSTROM	APPV'D BY L. R.	DATE 1/31/08	SIZE <b>A</b>	FSCM NO. <b>55335</b>	DRAWING NO. <b>ZRS-8485-WW</b>
- CAD DRAWING - MANUAL REVISIONS NOT PERMITTED			SCALE NONE	RELEASED DATE 12/11/07	REVISION DATE 1/31/08
REV. NO.	DESCRIPTION/ECO NUMBER	APPV'D DATE	REV. NO. <b>A</b>	SHEET 1 OF 2	

<b>A</b>	ADD ACCESSORIES NOTE PG 2	1/31/087
	RELEASED	12/11/07

# 8mm X 485mm LED LIGHT BAR

## Absolute Maximum Rating at TA = 25°C

Parameter	Symbol	Absolute Maximum Rating	Unit
Forward Current	IF	200	mA
Power Dissipation	PD	2.4	W
Electrostatic Discharge	ESD	800	V
Operating Temperature	Topr	-25~+60	°C
Storage Temperature	Tstg	-40~+80	°C

## Electrical/Optical Characteristics at TA = 25°C

Parameter	Symbol	Condition	Min	Typ	Max	Unit
Forward Voltage DC	VF	IF = 200mA	--	12	--	V
Color Coordinates	x, y	IF = 200mA	.415	.430	.445	x
			.395	.420	.445	y
Luminous Flux	φV	IF = 200mA	--	70	--	lm
Recommend Forward Current	IF(rec)	--	--	200	--	mA

JKL ACCESSORIES TO BE ORDERED SEPARATELY  
 PCB MOUNTING CLIP: ZRC-8  
 INPUT CONNECTOR HARNESS: ZCH-200-I  
 JOINER CONNECTOR HARNESS: ZCH-101-J

## PACKAGING

